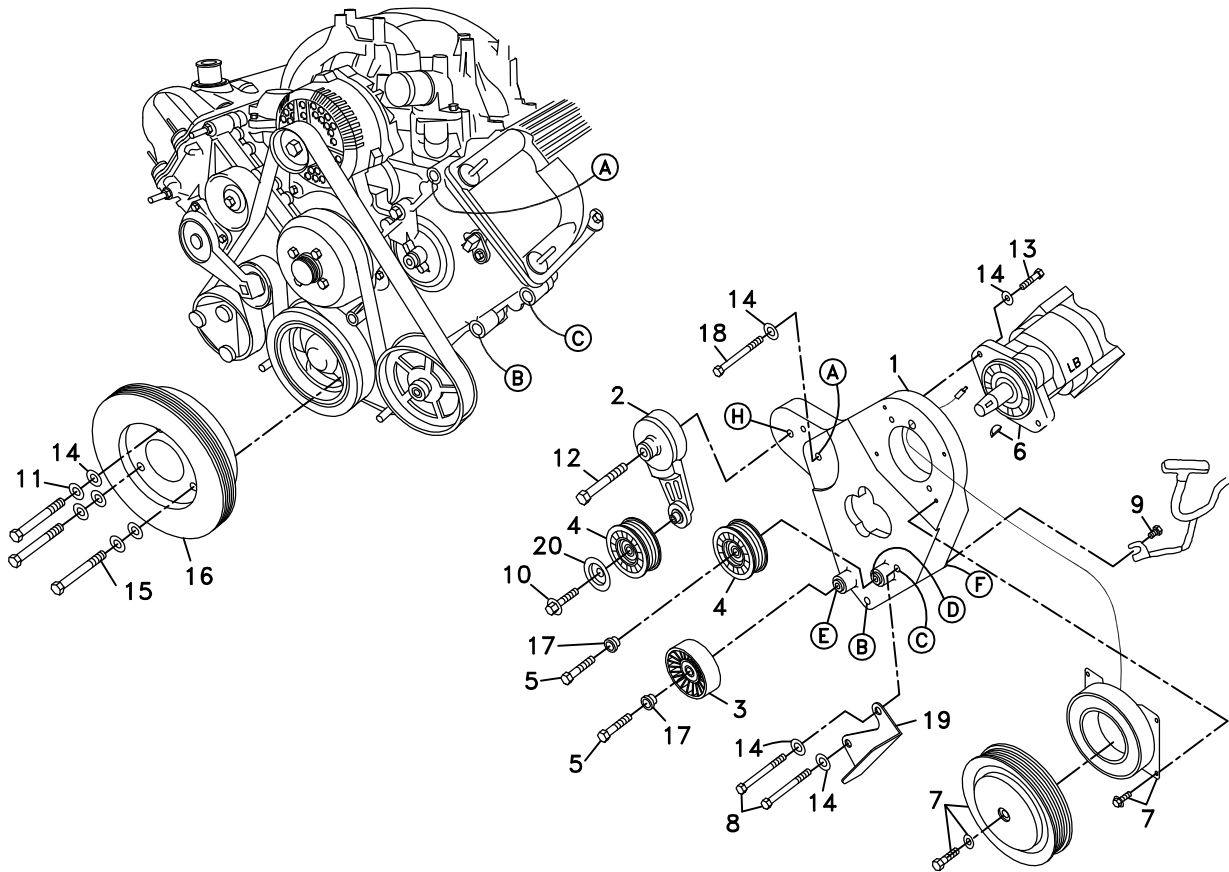


-----	Bracket Assy. (Inc. item )		Kit No.	<b>700360</b>
711299	Bracket Bolt Pkg. (Inc. items 8, 9, 14, 18)		Make	Ford van
711183	Pulley Bolt Pkg. (Inc. 11, 14, 15)		Engine	5.4, 6.8L
711301	Idler Bolt Pkg. (Inc. items 5, 17)		Fuel	Gas
740267	Tensioner Assy. (Inc. items 2, 4, 10, 20)		Year	1999
-----	Fan Spacer Bolt Pkg.		Equipment	With A/C
			Revised	C 9-11-02

ITEM	PART #	DESCRIPTION
1.	711297	Pump mount bracket
2.	740301	Tensioner
3.	740234	Flat idler
4.	740233	Serpentine idler
5.	110479	M10 x 30 Bolt
6.	*	Pump
7.	740144	Clutch
8.	110113	M10 x 90 x 1.5 Bolt
9.	110422	5/16-18 x 3/4 Bolt
10.	110242	7/16-14 x 2.25 LH Flange head bolt
11.	110689	M10 Lock washer
12.	110547	7/16-14 x 3 1/2 Bolt
13.	110425	3/8-16 x 1 1/4 Bolt
14.	110676	3/8 Flat washer
15.	110180	M10 x 60 1.5 Bolt
16.	740230	Crankshaft pulley
17.	711072	Bushing
18.	110580	M10 x 85 x 1.5 Bolt
19.	711130	Hose protector bracket
20.	110252	Washer
21.	740313	Belt/Micro-V K060747

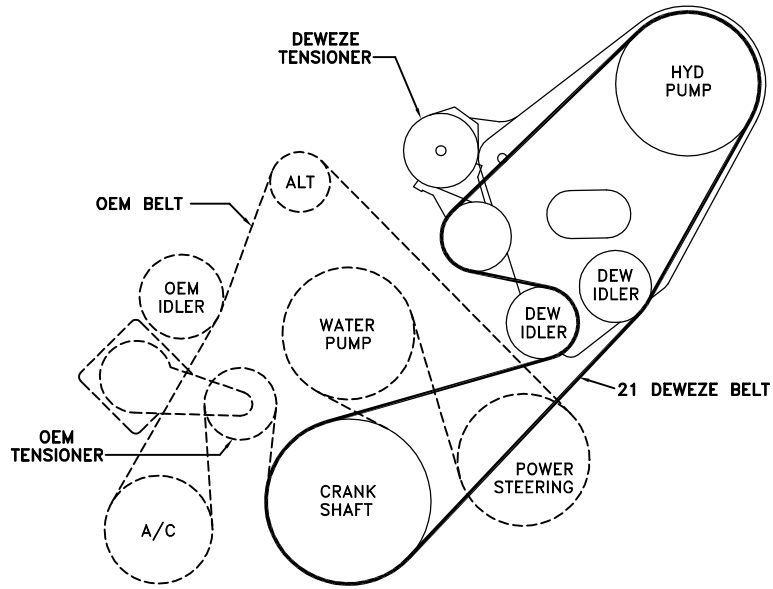
\* See master list for pump part no.



(A),(B),(C)... Denotes bolt holes in engine to locate corresponding holes in Pump Brkt.

FIG. 2

BELT DIAGRAM



# DewEze

Clutch Pump Kit  
#700360  
Ford  
5.4L, 6.8L  
w/ and w/o A/C  
'A' mount  
1999-

## INSTALLATION INSTRUCTIONS

1. Disconnect the battery.
2. Drain the radiator.
3. Remove the air cleaner assembly.
4. Remove the upper radiator hose.
5. Remove the fan shroud and fan.
6. Remove OEM bolts from engine at locations A, B, and C. Lay the wiring off to the side.
7. Mount the crank pulley (16) to the damper using three M10 x 60 bolts (15), 10mm lock washers (11), and 3/8 flat washers (14).
8. Bolt the pump (6) onto back of mounting plate (1) using two 3/8 x 1 1/4 bolts (13) and two 3/8 flat washers (14). Attach the clutch coil (7) to the front of the plate using four flange bolts supplied with the clutch. Insert the coil wire through the 1/2" hole right above the coil to keep it from contacting the clutch pulley.
9. Mount the clutch pulley (7) onto the pump shaft using the bolt and washer supplied with the clutch.
10. Attach the one serpentine idler pulley (4) to the tensioner arm (2) with the 7/16 x 1 3/8 bolt (10). Mount the tensioner assembly on the pump bracket at location H with one 7/16 x 3 1/2 bolt (12), inserting the bolt head on the back of the tensioner into the small hole on the tensioner mounting pad.
11. Insert one bushing (17) into the center of the other serpentine idler (4) and the other bushing into the center of the flat idler pulley (3). Mount the serpentine idler onto the boss at location D and the flat idler on the boss at location E using M10 x 30 bolts (5) in each.
12. Mount the pump bracket onto the engine at location A with the M10 x 85 bolt (18) with 3/8 flat washer (14). Insert the M10 x 90 bolts (8) with 3/8 flat washers into the holes at locations B and C. Torque all these bolts to 30-41 ft/lbs.
13. Bolt the dipstick support to the back of the pump bracket at location F using a 5/16 x 3/4 bolt (9).
14. Install the pump drive belt (21) making sure pulleys are aligned and belt runs true.
15. Replace the upper radiator hose.
16. Replace the coolant in the radiator.
17. Reconnect the battery.
18. Run the engine and check for alignment and clearance problems.

