

Bolt Packages:

Bracket	711634	(Inc. item 9, 15, 20,21)
Idler pulley	711653	(Inc. items 10, 15)
Pulley	711651	(Inc. items 14, 15, 22)
Tensioner	None	

Tensioner Assy.	740385
Issue Date	10-22-04
Revision Date	C 12-9-05

Item Part No. Description

1.	711625	Engine bracket	14.	110689	M10 Lock washer
2.	740383	Crankshaft pulley	15.	110676	3/8 Flat washer
3.	110780	Washer, M8 x .188" thick	16.	740233	Idler pulley, 6-groove
4.	740145	Idler pulley, flat 3.75"	17.	110469	M8 x 1.25 x 20 Bolt
5.	740294	Idler pulley, flat 3.00"	18.	110703	M8 Flat washer
6.	740384	Tensioner arm	**19.	711649	Air intake support bracket
7.	*	Pump, A rear port	**20.	110122	5/16-18 x 1.25 Wiz bolt
8.	742016	Clutch	**21.	110606	5/16-18 Wiz nut
9.	110761	M8 x 1.25 x 110 Bolt	22.	110217	M10 x 1.5 x 70 Bolt
10.	110282	M10 x 1.5 x 20 Bolt	23.	120388	Adapter, 8MJIC-18 Metric 90
11.	110425	3/8-16 x 1 1/4 Bolt	24.	722005	Hose, power steering
12.	110747	M12 x 1.75 x 75 Bolt	25.	742019	Belt, Micro-V K060725
13.	OEM	Bolt			

* See pump list for sizes and part numbers.

**19. Used only on 5.4L engine.

FIG. 1
BELT DIAGRAM

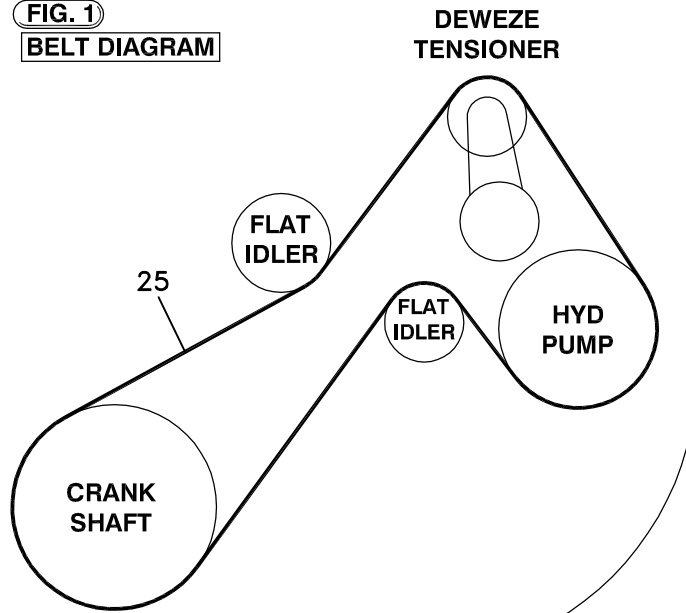
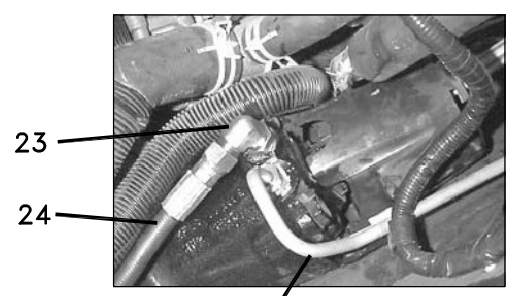


FIG. 2
POWER STEERING HOSE MODIFICATION



LINE FARTHEST FROM ENGINE IS UNMODIFIED

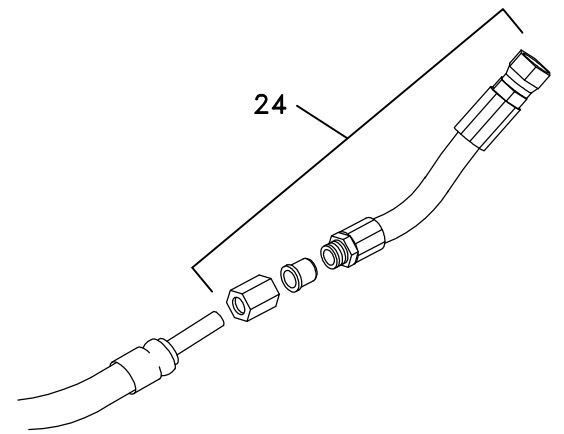
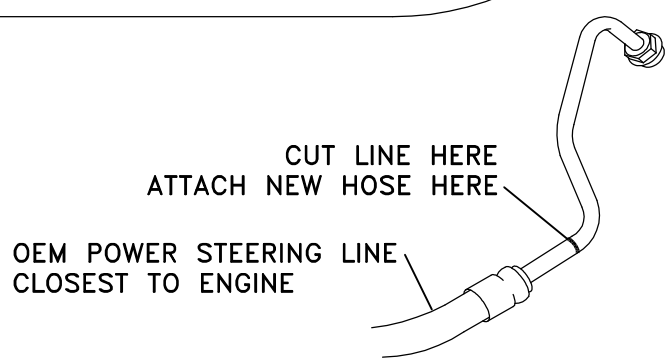


FIG. 3

