

**Ford, 6.8L:G, 2008+, w/Spider Kit, A Pump, 12, 17 GPM, Rear Port**

**Bolt Packages:**

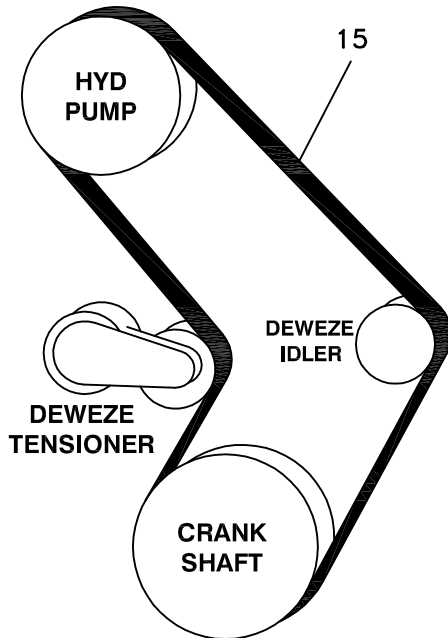
Bracket	711894 (Inc. items 10-13)
Idler pulley	711895 (Inc. items 9, 10, 14)
Pulley	None
Tensioner	None

Issue Date	8-30-07	Revision Date	C	3-3-08
------------	---------	---------------	---	--------

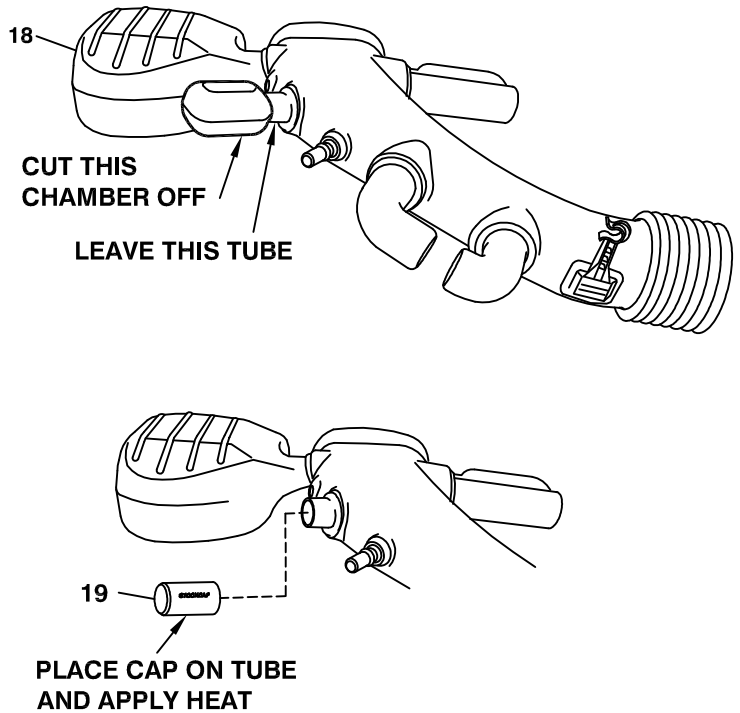
Item	Part No.	Description
1.	711887	Engine bracket
2.	711216	Pump footmount
3.	711889	Fan spacer
4.	743004	Tensioner
5.	740143	Idler pulley, 8-groove 3.00"
6.	740275	Spider kit
7.	*	Pump, A rear port
8.	742009	Clutch
9.	110180	M10 x 60 Bolt
10.	110676	3/8 Flat washer
11.	110425	3/8-16 x 1 1/4 Bolt
12.	110292	M8 x 1.25 x 120 Bolt
13.	110558	M8 1.25 x 50 Bolt
14.	110567	M10 x 1.5 x 80 Bolt
15.	OEM	Wire
16.	742058	Belt, Micro-V K080690
17.	740400	Crank damper
18.	OEM	Airbox
19.	702079	Cap, heat shrink

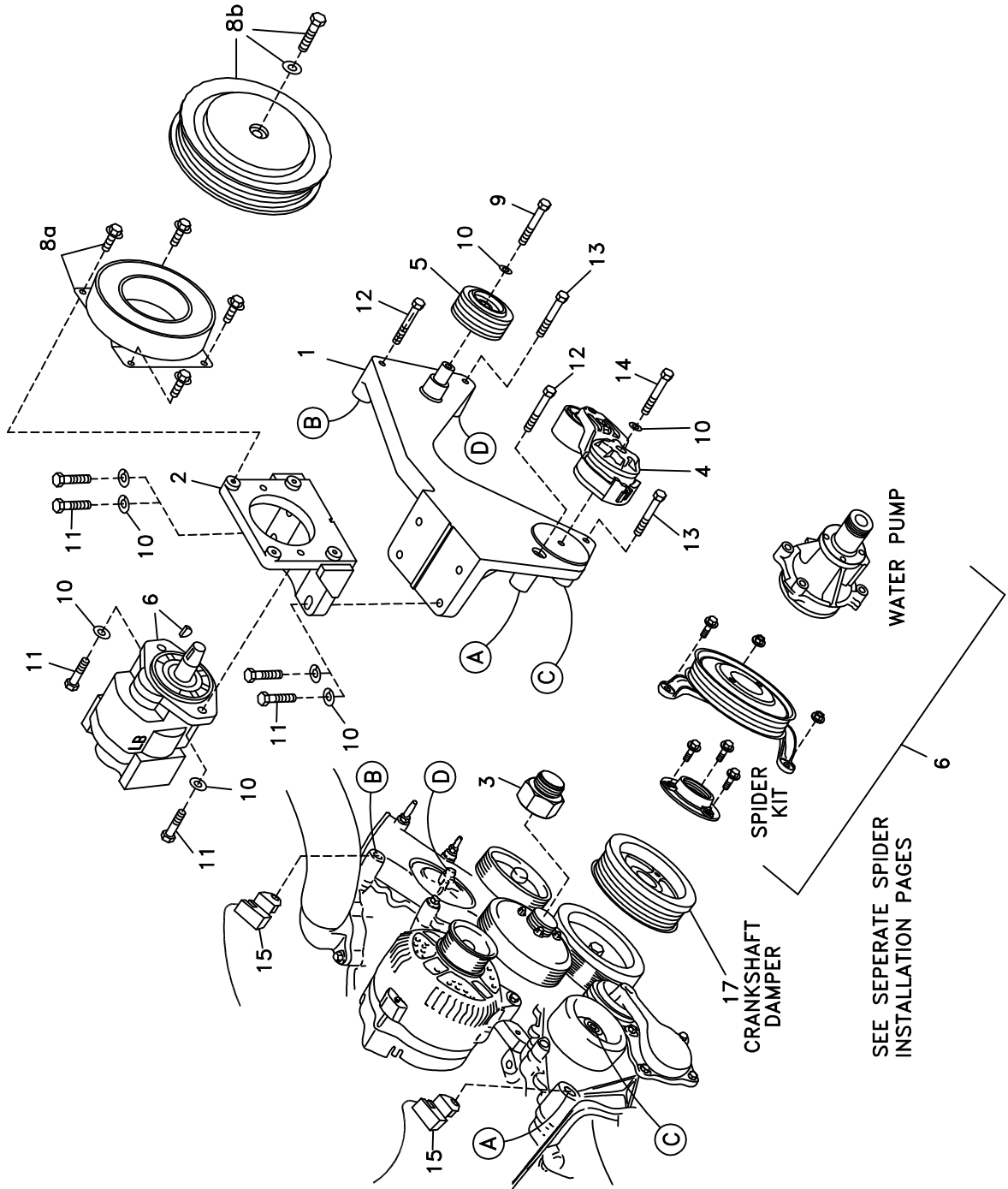
\* See pump list for sizes and part numbers.

**FIG. 1**  
**BELT DIAGRAM**



**FIG. 3**  
**AIRBOX MODIFICATION**





**FIG. 2**  
**BRACKET ASSEMBLY**

