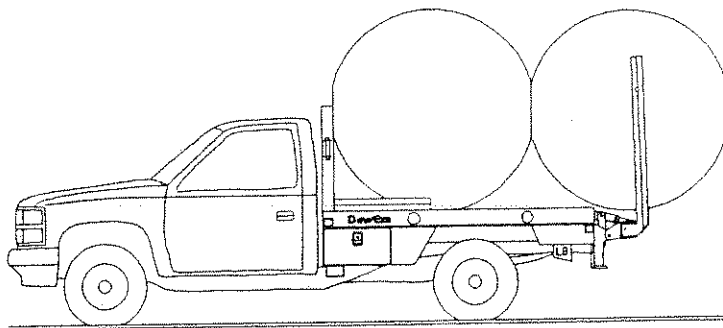


Operation & Service Manual

FLATBED



GRAY ARM 300 Series



FOR YOUR RECORDS

Date of Purchase _____

Dealer's Name _____

Dealer's Phone _____

Serial Number _____

Following publication of this manual, certain changes in standard or optional equipment may have occurred which would not be included in these pages. Your DewEze dealer is the best source for up to date information.

DewEze Mfg., Inc. reserves the right to change product specifications at any time without incurring obligation to provide such updates to previously manufactured units.

© DewEze Mfg., Inc. 1995
Route 2, Box 78
Harper, KS 67058

SAFETY PRECAUTIONS

GENERAL

1. Never stand under the hugger arms when operating the bale pickup unit, even when the arms are empty. Personal injury may result.
2. Make sure all safety pins are in place and flatbed mounting bolts are secure at the truck frame.
3. Make sure hinges, joints, and sliding parts are well greased, especially during off season to prevent rusting and blinding.
4. Check with your truck dealer for any load limits, additional suspension or tire requirements. The Flatbed's lifting capability may exceed the truck's load capacity in a few instances.

HYDRAULIC SYSTEM

1. Never activate the electric clutch except when truck engine is at idle. Switching clutch on at road speeds can seriously damage your hydraulic system.
2. Do not operate hydraulic system with hood open.

BEFORE OPERATING

FILL RESERVOIR

Park truck on flat and level surface to check and fill reservoir. Fill reservoir till oil is between bottom and top sightglass. Reservoir holds approximately 10 gallons of oil.

FILL SYSTEM

Start engine and run both cylinders in and out or up and down twice to fill system with oil. Make sure the two hoses coming through the Flatbed frame to the squeeze arms do not kink or stretch during operation. Check for hydraulic leaks.

SYSTEM PRESSURE

Connect a hydraulic test gauge to the quick couplers in hoses going to squeeze cylinder. Check hydraulic system for pressure. It should be 2500 psi.

OPERATING INSTRUCTIONS

STARTING

Turn pump ON with engine idling. (Red light will indicate pump is on.)

IMPORTANT: In cold weather, allow engine to idle for 5 or 10 minutes with pump on before operating the arms. This allows the oil to warm up and flow more freely. Failure to do so may cause hydraulic pump failure.

LOADING

Back the truck against the bale with the arms wide apart and tilted slightly upward. Close the arms firmly against the bale. Lift the bale onto the truck. Release the bale and repeat the operation for the second bale except do not release the bale after it is onto the truck. Instead, keep the bale in the arms while hauling and it will be ready for unloading at your destination.

UNLOADING

Do the reverse of the loading operation.

NOTE: Sometimes it may be necessary to operate with spinners to grip the front bale for unloading.

UNROLLING

With the arms laying on the bed, place the optional risers in the "eye" of the arms, and the spinners in the "eye" of the risers. Position the arms over the bale so the spinner is at the center of the bale. Close the arms and pick up the bale. To unroll, lower the bale onto the ground and drive. Gradually lower the arms as the bale unrolls.

NOTE: Without the risers, the spinners will not lower close enough to the ground to completely unroll the bale.

STORING THE ARMS

Close the arms partially and lay on the flatbed. Open arms until they are flush with the side of the bed. They now serve as sides for the flatbed.

TURN CLUTCH OFF when not using hydraulic system. Operating the truck at road speeds, or above 2,000 RPM, with pump engaged, may cause hydraulic pump failure.

MAINTENANCE

1. Oil reservoir must be kept full at all times. Maintain the oil between the two sightglasses.
2. In cold weather, engage clutch and let the hydraulic system circulate until system sounds normal.
3. Change oil filter (10 micron) after first forty hours of use and then every 250 hours or annually, thereafter.
4. Keep belt tension tight. Loose belts may cause premature wear of belts and pulleys.
5. Watch hydraulic system for signs of leakage. Loss of hydraulic fluid may cause serious damage to major hydraulic components.
6. When quick-couplers leak, the O-ring may need to be replaced.
7. Examine the oil. If milky in appearance it is probably saturated with air or water and should be replaced with fresh oil.
8. Unusual sounds in the hydraulic pump or anywhere in the system should be investigated by a fluid power mechanic.
9. High heat, 190 degrees or greater, can be damaging to the hydraulic system and should not be tolerated. Feel various parts of the system to make sure there are no "hot spots" which may indicate a problem is developing.
10. Clutch should be disengaged when hydraulic system is not in use.
11. Make sure quick-disconnect couplers are clean, properly connected and mated, so that oil flows freely from hydraulic power source to implement.
12. For easy hookup of the couplers, shut clutch switch "off" and activate control valve switches with the ignition "on". This will release the pressure in the lines on the truck.
13. When quick-couplers are not in use, cover with dust caps.
14. Engine should not exceed 2,000 rpm with clutch engaged and pump operating.
15. **CAUTION:** Do not operate hydraulic system with hood open.

TROUBLE SHOOTING

PROBLEM AREA	SYMPTOMS	POSSIBLE SOLUTIONS
Hydraulic Pump	No Oil Flow	<ol style="list-style-type: none"> 1. CHECK OIL LEVEL IN RESERVOIR. If oil level is low, check for leaks in system. 2. CHECK BELT TENSION. Tighten if needed. Replace belt if necessary. 3. CHECK FOR SHEARED KEY ON PUMP SHAFT. Replace key. 4. CLUTCH NOT FUNCTIONING. See clutch section. 5. INTERNAL PUMP DAMAGE. Have pump repaired or replaced. 6. CHECK PRESSURE LINE AT PUMP TO SEE IF OIL IS MOVING.
	No Oil Pressure	<ol style="list-style-type: none"> 1. VALVE NOT FUNCTIONING. Check for disconnected wires at solenoid. 2. CHECK FOR POSSIBLE LEAKS IN SYSTEM. Repair leaks or blown hoses. 3. CHECK FOR MALFUNCTIONING SWITCH. Replace broken switches. 4. PRESSURE RELIEF SPRING BROKEN ALLOWING OIL TO BYPASS SYSTEM. Replace spring. 5. PRESSURE SEAL ON PUMP IS BROKEN OR WORN. Replace. 6. BELTS OR CLUTCH ARE SLIPPING. Tighten belts. 7. PRESSURE RELIEF MAY BE SET TOO LOW. CAUTION: PRESSURE EXCEEDING 2,600 PSI CAN DAMAGE THE PUMP.
Clutch	Does Not Engage	<ol style="list-style-type: none"> 1. CHECK FOR BLOWN FUSE. Replace. CAUTION: Fuse should not exceed 30 amps. 2. CHECK WIRE TO CLUTCH. Insure there are no breaks or shorts in wire and that it is plugged into clutch lead. 3. CHECK FOR BAD SWITCH IN SYSTEM. Replace. 4. CHECK FOR BLOWN MAGNETIC COIL. Use jumper from positive battery terminal to coil lead to check coil. Replace coil if necessary.
Belt(s)	Jumping Off Pulleys	<ol style="list-style-type: none"> 1. BELTS TOO LOOSE. Tighten belts. 2. CHECK FOR EXCESSIVE BELT WEAR. Replace worn belts. 3. CHECK FOR LOOSE PUMP BRACKET. Tighten loose bolts. Replace broken bolts. 4. CHECK ALIGNMENT OF CLUTCH AND CRANKSHAFT PULLEYS. Re-align pulleys. 5. CHECK CRANKSHAFT PULLEY FOR LOOSE OR BROKEN BOLTS. Tighten loose bolts. Replace broken bolts. 6. CHECK ALIGNMENT OF IDLER PULLEY (IF APPLICABLE) AND THE CONDITION OF IDLER PULLEY BEARINGS. Re-align idler pulley. Replace worn or broken bearings.

TROUBLE SHOOTING - Cont.

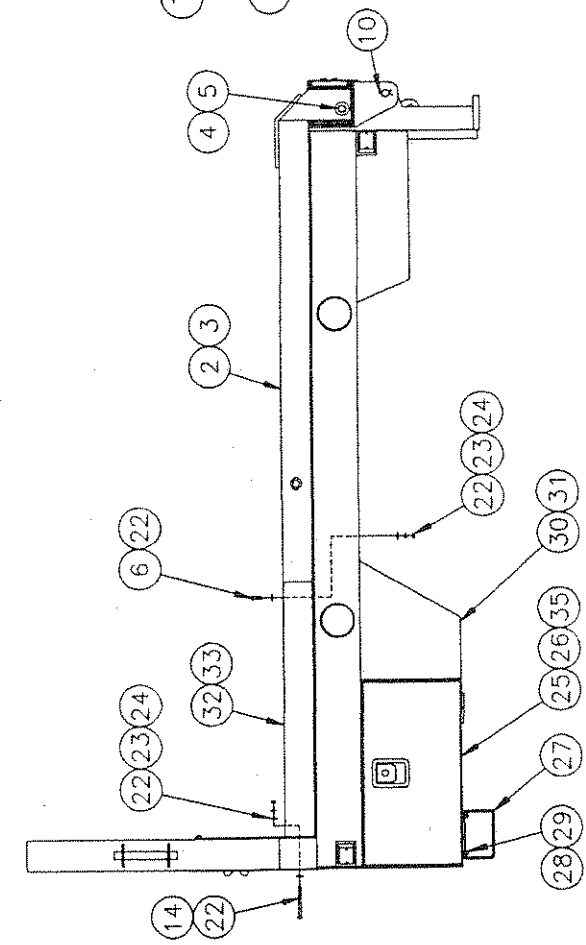
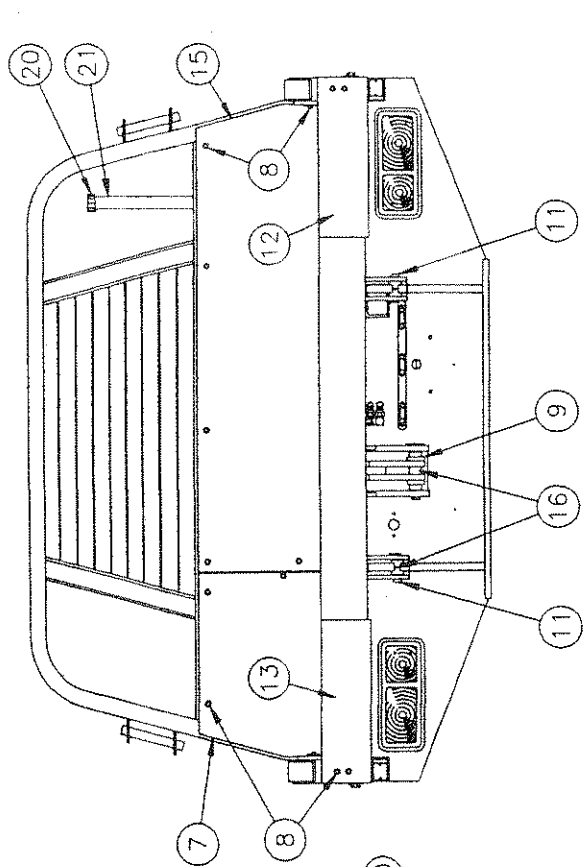
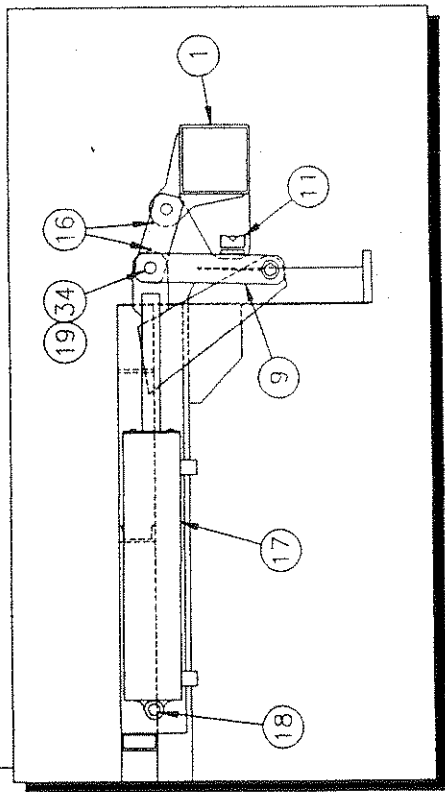
Assuming coil and electrical systems seem to be functioning, use a screw driver and push in on the button at the end of the tube assembly. (Note: The solenoids rest on this tube.) This will usually operate the valve. CAUTION: Make sure no one is on or around moving parts of the equipment that is hooked to the hydraulic system.

If spool is jammed, do not force spool as this may cause a scar on the spool or valve body. Disassemble valve, clean, and reassemble. If spool is still tight, use a very fine emery cloth to smooth burrs or rough edges on spool.

NOTE: The relief valve is preset from factory. Warranty is voided if valve pressure is increased beyond factory setting.

For additional trouble shooting information and help contact your dealer.

BED ASSEMBLY



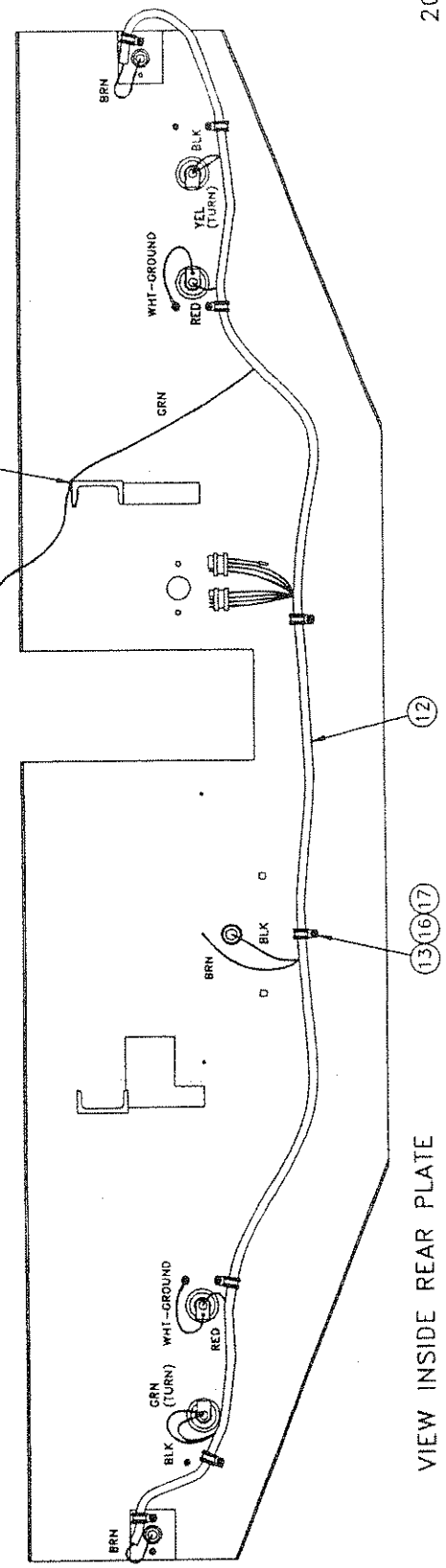
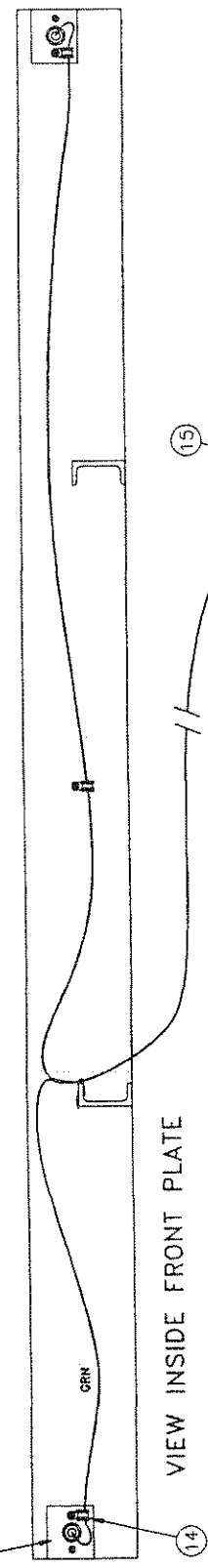
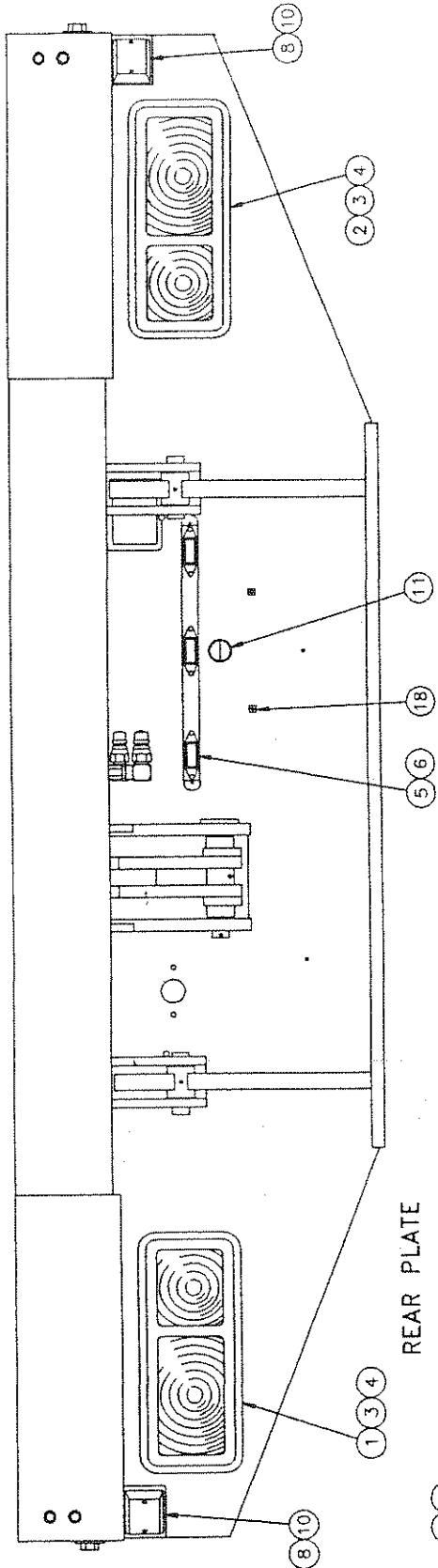
200120

BED ASSEMBLY

ITEM	PART NO.	DESCRIPTION	25	26	27	28	29	30	31	32	33	34	35
1	210653	CROSSARM ASSY	210568	200126	210697	510401	710631	210170	210283	210171	210284	210663	210667
2	210654	HUGGER ARM/L	210568	200126	210697	510401	710631	210170	210283	210171	210284	210663	210667
3	210656	HUGGER ARM/R	210568	200126	210697	510401	710631	210170	210283	210171	210284	210663	210667
4	210128	5/8NC X 1 1/2 BOLT	210568	200126	210697	510401	710631	210170	210283	210171	210284	210663	210667
5	310344	5/8 FLAT WASHER	210568	200126	210697	510401	710631	210170	210283	210171	210284	210663	210667
6	510063	3/8NC X 1 BOLT	210568	200126	210697	510401	710631	210170	210283	210171	210284	210663	210667
7	210640	VALVE COVER PLATE	210568	200126	210697	510401	710631	210170	210283	210171	210284	210663	210667
8	511082	3/8NC X 1/2 WIZ BOLT	210568	200126	210697	510401	710631	210170	210283	210171	210284	210663	210667
9	210990	IDLER ARM	210568	200126	210697	510401	710631	210170	210283	210171	210284	210663	210667
10	510463	1/8 X 1 1/4 COTTER PIN	210568	200126	210697	510401	710631	210170	210283	210171	210284	210663	210667
11	210107	PIN/CROSSARM	210568	200126	210697	510401	710631	210170	210283	210171	210284	210663	210667
12	210658	CROSSARM COVER/R	210568	200126	210697	510401	710631	210170	210283	210171	210284	210663	210667
13	210659	CROSSARM COVER/L	210568	200126	210697	510401	710631	210170	210283	210171	210284	210663	210667
14	710510	3/8NC X 5 BOLT	210568	200126	210697	510401	710631	210170	210283	210171	210284	210663	210667
15	220399	RESERVOIR	210568	200126	210697	510401	710631	210170	210283	210171	210284	210663	210667
16	510174	GREASE ZERK	210568	200126	210697	510401	710631	210170	210283	210171	210284	210663	210667
17	220415	CYLINDER/LIFT	210568	200126	210697	510401	710631	210170	210283	210171	210284	210663	210667
18	210112	PIN/BASE	210568	200126	210697	510401	710631	210170	210283	210171	210284	210663	210667
19	210110	PIN/ROD	210568	200126	210697	510401	710631	210170	210283	210171	210284	210663	210667
20	220382	FILLER CAP	210568	200126	210697	510401	710631	210170	210283	210171	210284	210663	210667
21	220403	FILLER NECK	210568	200126	210697	510401	710631	210170	210283	210171	210284	210663	210667
22	510365	3/8 FLAT WASHER	210568	200126	210697	510401	710631	210170	210283	210171	210284	210663	210667
23	510271	3/8 LOCK WASHER	210568	200126	210697	510401	710631	210170	210283	210171	210284	210663	210667
24	510272	3/8NC NUT	210568	200126	210697	510401	710631	210170	210283	210171	210284	210663	210667

TOOL BOX
 SEAL/TOOL BOX LID
 STEP
 3/8NC X 3/4 WIZ BOLT
 3/8NC WIZ NUT
 FENDER/L 375,378,380,382
 FENDER/L 385,387
 FENDER/R 375,378,380,382
 FENDER/R 385,387
 SIDE RAIL/L 375
 SIDE RAIL/L 378
 SIDE RAIL/L 380
 SIDE RAIL/L 382
 SIDE RAIL/L 385
 SIDE RAIL/L 387
 SIDE RAIL/R 375
 SIDE RAIL/R 378
 SIDE RAIL/R 380
 SIDE RAIL/R 382
 SIDE RAIL/R 385
 SIDE RAIL/R 387
 BUSHING/LIFT CYL. LUG
 MAT/TOOL BOX

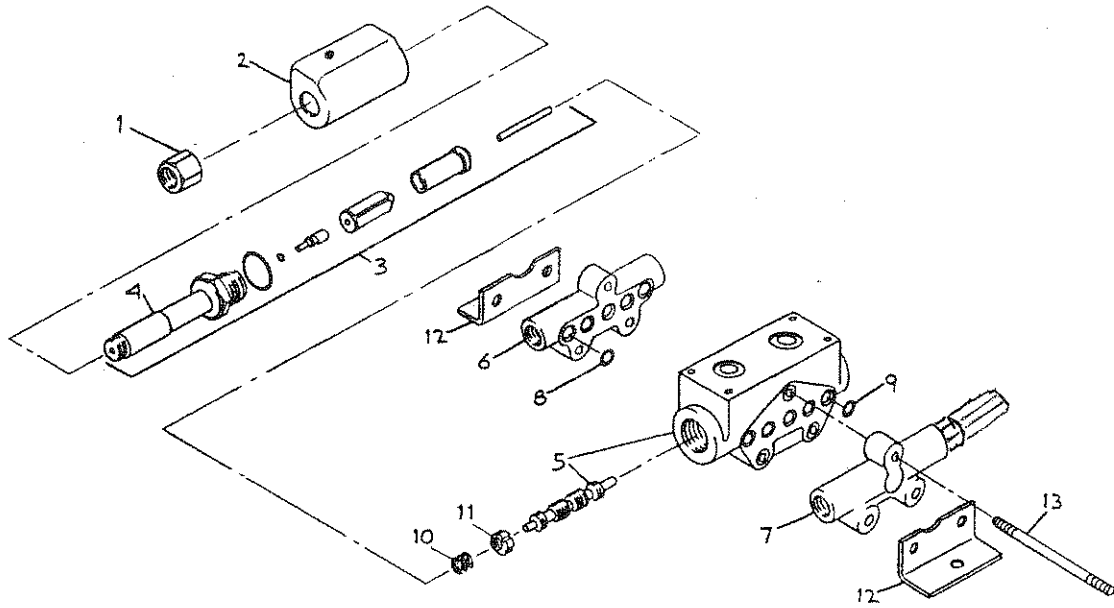
WIRING HARNESS/LIGHTS



BED ASSEMBLY

ITEM	PART NO.	DESCRIPTION
1	230001	TAIL LIGHT ASSY/L
2	230002	TAIL LIGHT ASSY/R
3	230003	LENS/TAIL LIGHT
4	230004	LENS/BACK UP LIGHT
5	230005	REAR IDENTIFICATION LIGHT
6	230006	LENS/REAR I.D. LIGHT
7	230007	SIDE MARKER LIGHT ASSY/AMBER
8	230008	SIDE MARKER LIGHT ASSY/RED
9	230009	LENS/MARKER LIGHT AMBER
10	230010	LENS/MARKER LIGHT RED
11	230011	LICENSE LIGHT
12	230072	WIRING HARNESS
13	200019	ADEL CLAMP AC-10
14	130011	ADEL CLAMP AC-6
15	200066	WIRE CLIP
16	510094	10-24 X 1 SCREW
17	210336	10-24 NUT
18	200051	NYLON LICENSE PLATE SCREW INSERT

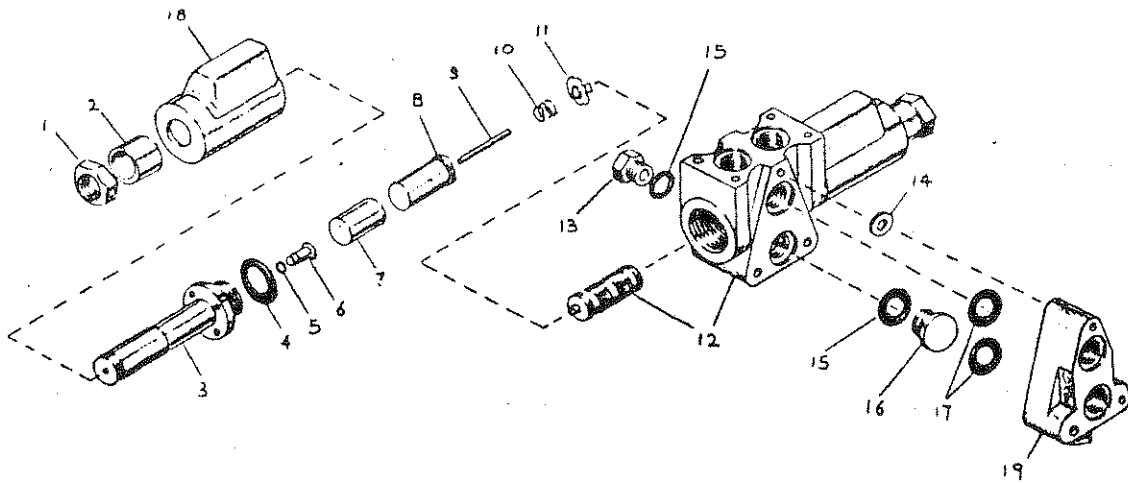
VALVE ASSEMBLY\FPS SMALL



ITEM	PART NO.	DESCRIPTION
1	720005	Nut
2	720004	Solenoid coil
3	720003	Tube sub-assembly
4	720017	Tube
5	720002	Body and spool
6	720008	Outlet
7	720006	Inlet
8	720019	O-ring/outlet
9	720018	O-ring/inlet
10	720023	Spring
11	720024	Spring retainer
12	720022	Mounting bracket
13	720021	Tie rod

200124

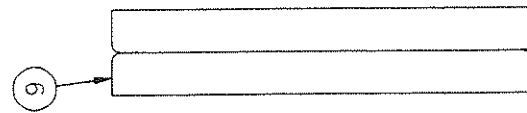
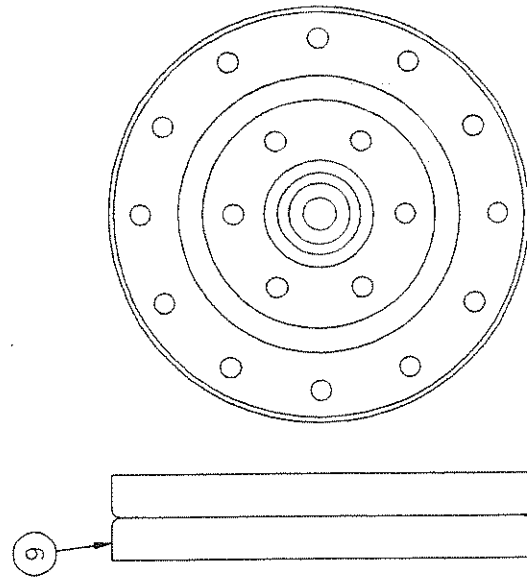
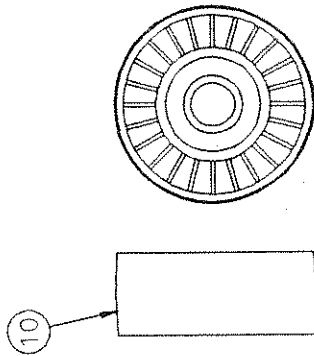
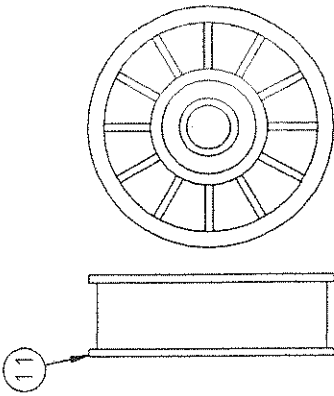
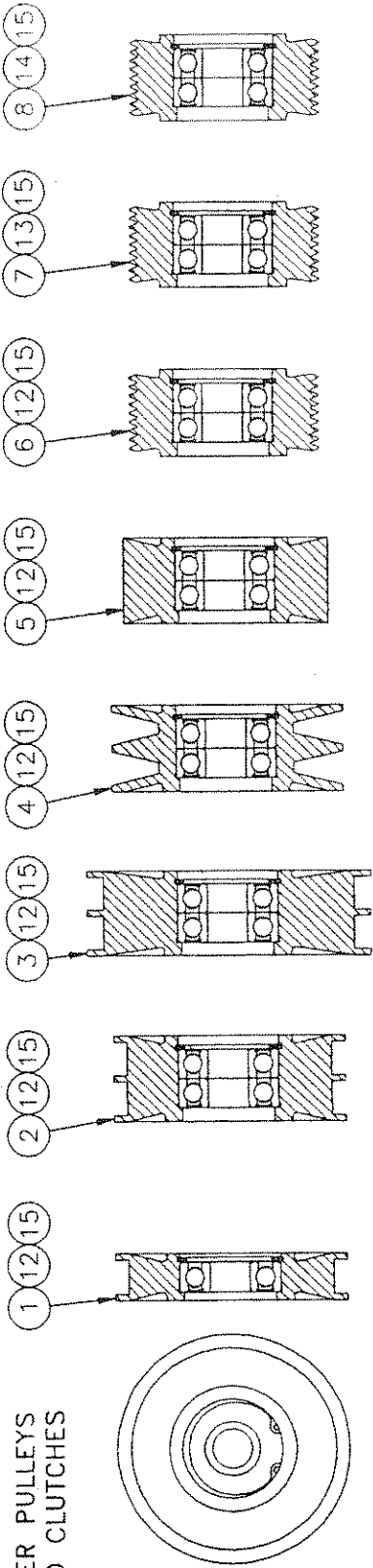
VALVE ASSEMBLY \FPS LARGE



ITEM	PART NO.	DESCRIPTION
1	720044	Nut
2	720045	Sleeve
3	720046	Tube Sub-assembly
4	720047	O-ring
5	720048	O-ring
6	720050	Button
7	720051	Plunger
8	720052	Plug
9	720053	Pin
10	720054	Spring
11	720055	Retainer/spring
12	720056	Spool & body (matched set)
13	720057	Plug
14	720058	Mylar shim
15	720059	O-ring
16	720060	Series plug
17	720061	O-ring
18	720062	Solenoid coil
19	220047	Relief valve
20	220043	Valve assembly/1-bank
21	220044	Valve assembly/2 bank w/relief

200124

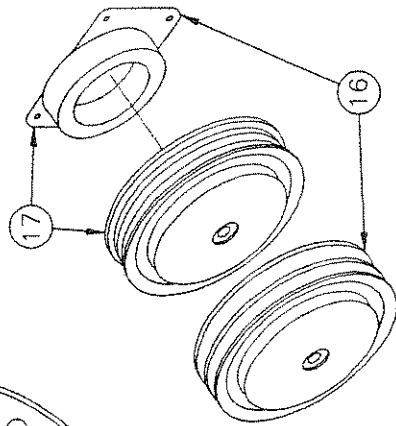
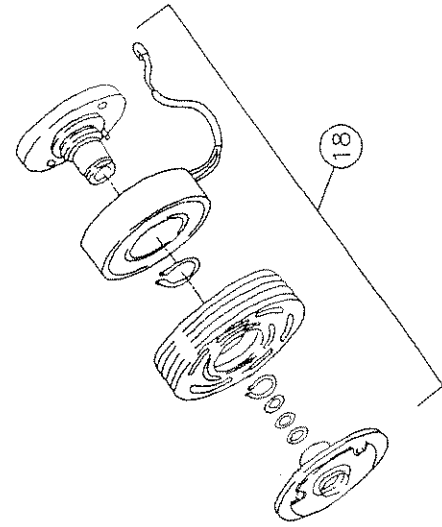
IDLER PULLEYS
AND CLUTCHES



9

10

11



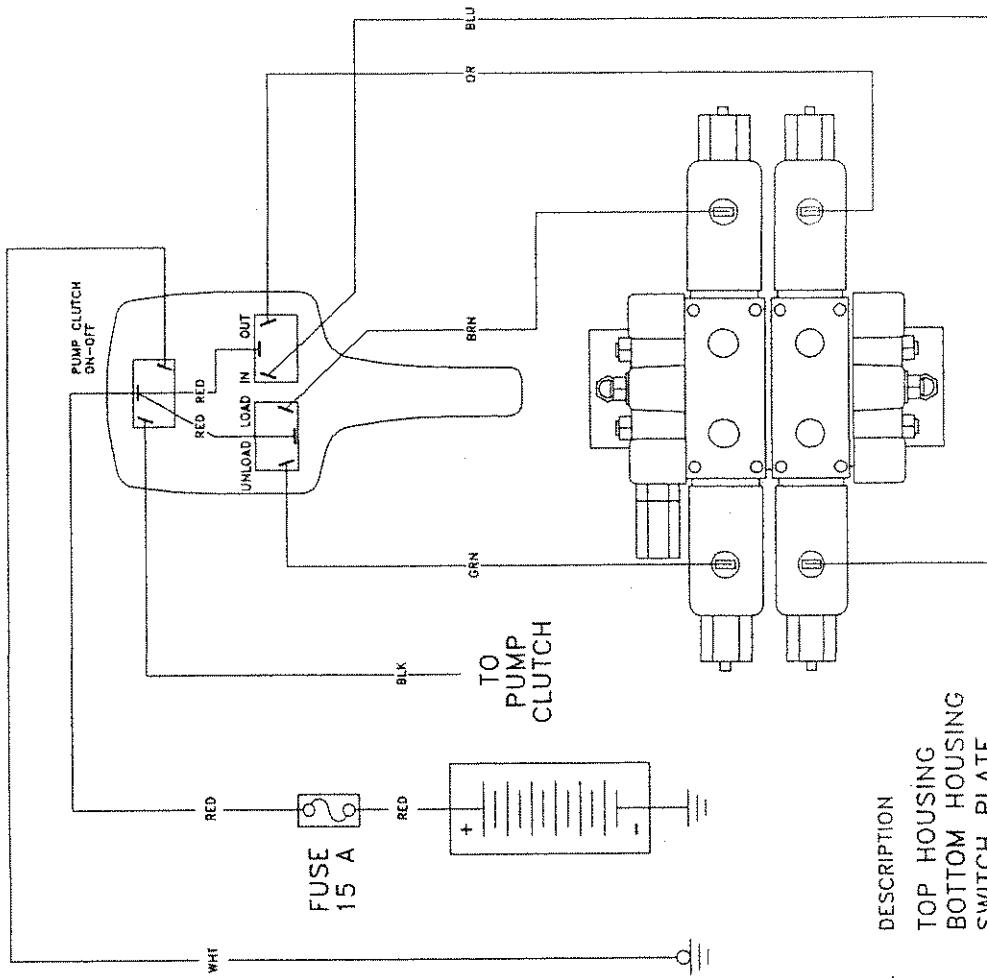
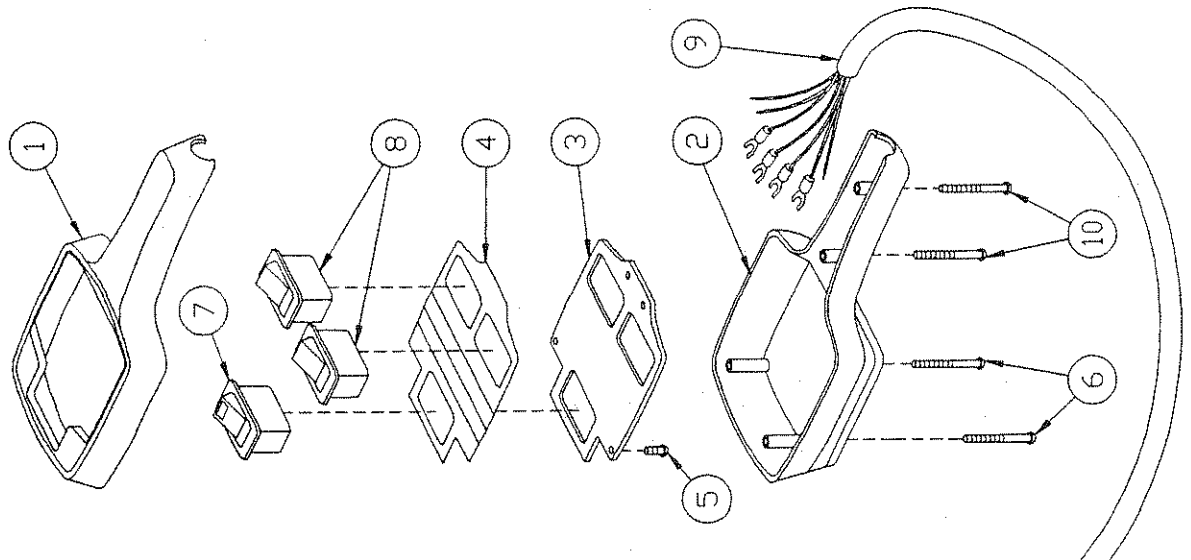
IDLER PULLEYS AND CLUTCHES

ITEM	PART NO.	DESCRIPTION
1	740039	IDLER PULLEY ASSY/1 BACK
2	740040	IDLER PULLEY ASSY/2 BACK 3.65"
3	740133	IDLER PULLEY ASSY/2 BACK 4.50"
4	740042	IDLER PULLEY ASSY/2 V-GROOVE
5	740200	IDLER PULLEY ASSY/FLAT BACK
6	740157	IDLER PULLEY ASSY/SERPENTINE .625" I.D.
7	740158	IDLER PULLEY ASSY/SERPENTINE .500" I.D.
8	740143	IDLER PULLEY ASSY/SERPENTINE .668" I.D.
* 9	740171	IDLER PULLEY ASSY/FLAT BACK
*10	740151	IDLER PULLEY ASSY/FLAT PLASTIC
*11	740145	IDLER PULLEY ASSY/2 BACK PLASTIC
12	740068	BEARING .625"
13	740153	BEARING .500"
14	740142	BEARING .668"
15	740069	SNAP RING
16	740037	CLUTCH/STD. V-GROOVE
	740038	CLUTCH/H.D. V-GROOVE
17	740144	CLUTCH/H.D. SERP. 6-GROOVE
	740148	CLUTCH/H.D. SERP. 8-GROOVE
18	740162	CLUTCH-HUB ASSY./H.D. SERP. 6-GROOVE
	740179	CLUTCH-HUB ASSY./H.D. SERP. 7-GROOVE

*BEARINGS ARE NONREPLACEABLE

700123

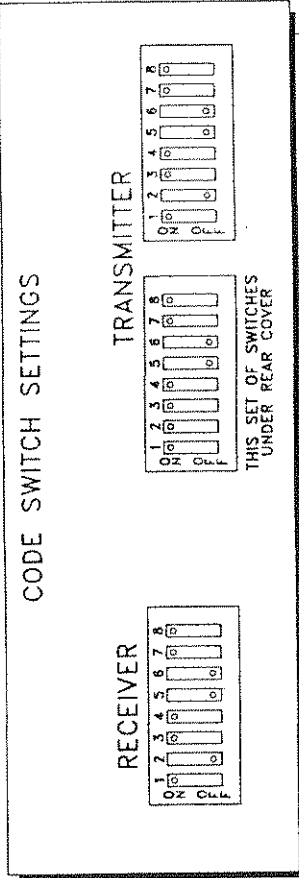
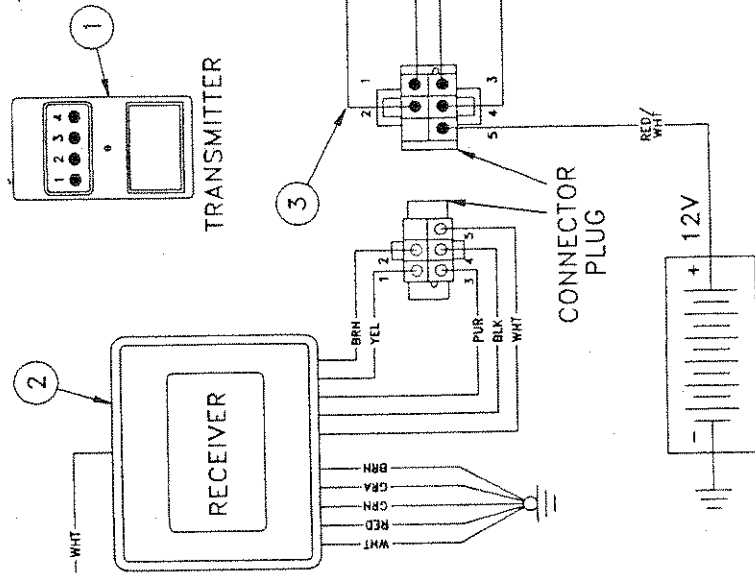
ELECTRIC SCHEMATIC/HAND CONTROL



ITEM	PART NO.	DESCRIPTION
1	150001	TOP HOUSING
2	150003	BOTTOM HOUSING
3	150002	SWITCH PLATE
4	150004	DECAL
5	150013	SCREW
6	150015	SCREW
7	130001	LIGHTED SWITCH
8	130002	MOMENTARY SWITCH
9	230013	CABLE/7-WIRE
10	150014	SCREW

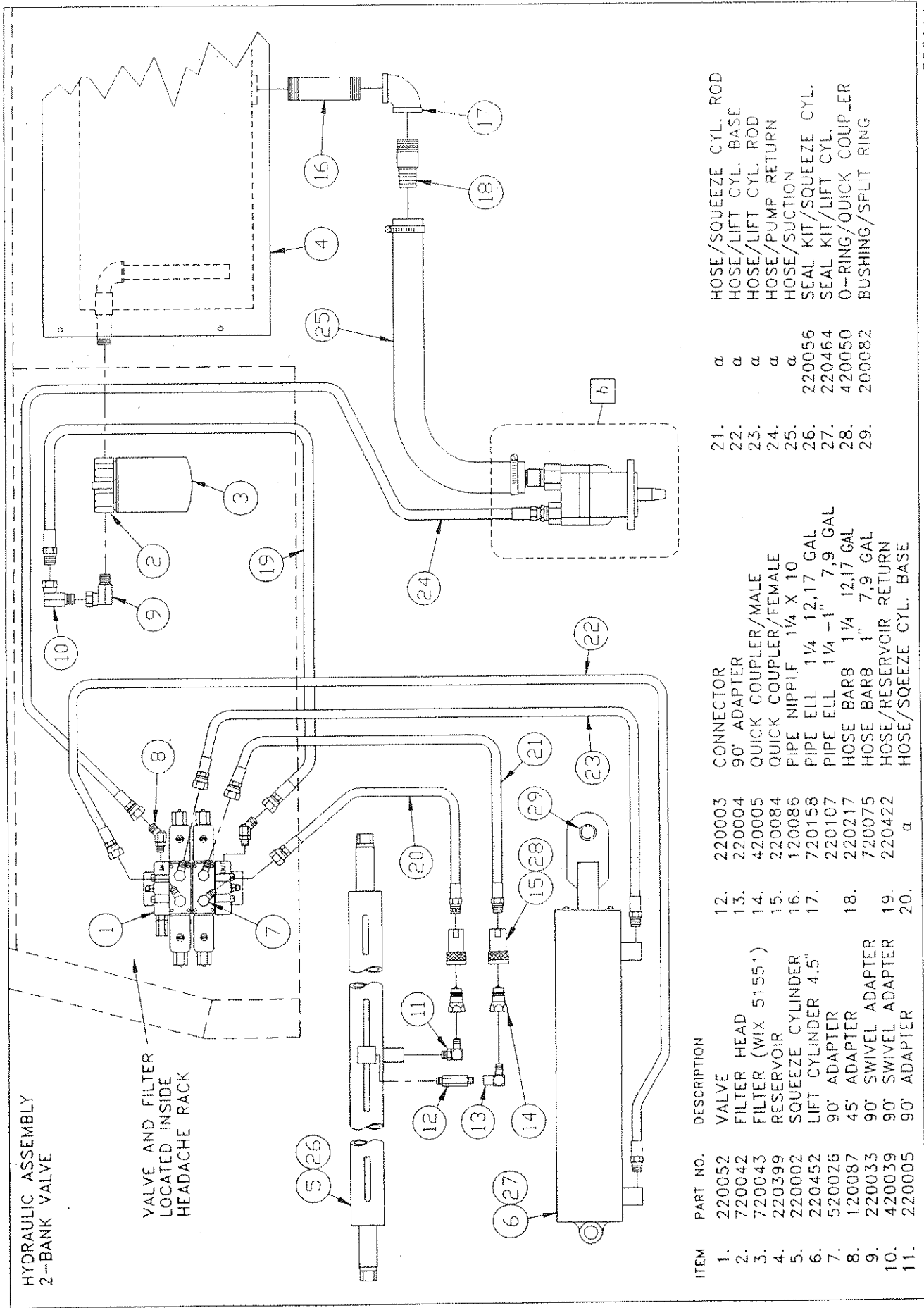
200113

ELECTRIC SCHEMATIC/REMOTE CONTROL



TO FUSE PANEL
(SWITCHED ON
WITH IGNITION)

ITEM	PART NO.	DESCRIPTION
1.	230097	TRANSMITTER
2.	230106	RECEIVER W/PLUG
3.	230107	WIRING HARNESS
4.	530020	SWITCH/MOMENTARY RELAY
5.	530028	10-24 X 1/2 SCREW
6.	510960	10-24 LOCK NUT
7.	540078	10-24 LOCK NUT



ITEM	PART NO.	DESCRIPTION	CONNECTOR	21.	22.	23.	24.	25.	26.	27.	28.	29.
1.	220052	VALVE	12. 220003	α	α	α	α	α	220056	220464	420050	200082
2.	720042	FILTER HEAD	13. 220004	HOSE/SQUEEZE CYL. ROD	HOSE/LIFT CYL. BASE	HOSE/LIFT CYL. ROD	HOSE/PUMP RETURN	HOSE/SUCTION	SEAL KIT/SQUEEZE CYL.	SEAL KIT/LIFT CYL.	O-RING/QUICK COUPLER	BUSHING/SPLIT RING
3.	720043	FILTER (WIX 51551)	14. 420005	HOSE/LIFT CYL. ROD	HOSE/LIFT CYL. BASE	HOSE/LIFT CYL. ROD	HOSE/PUMP RETURN	HOSE/SUCTION	SEAL KIT/SQUEEZE CYL.	SEAL KIT/LIFT CYL.	O-RING/QUICK COUPLER	BUSHING/SPLIT RING
4.	220399	RESERVOIR	15. 220084	HOSE/LIFT CYL. ROD	HOSE/LIFT CYL. BASE	HOSE/LIFT CYL. ROD	HOSE/PUMP RETURN	HOSE/SUCTION	SEAL KIT/SQUEEZE CYL.	SEAL KIT/LIFT CYL.	O-RING/QUICK COUPLER	BUSHING/SPLIT RING
5.	220002	SQUEEZE CYLINDER	16. 120086	HOSE/LIFT CYL. ROD	HOSE/LIFT CYL. BASE	HOSE/LIFT CYL. ROD	HOSE/PUMP RETURN	HOSE/SUCTION	SEAL KIT/SQUEEZE CYL.	SEAL KIT/LIFT CYL.	O-RING/QUICK COUPLER	BUSHING/SPLIT RING
6.	220452	LIFT CYLINDER 4.5"	17. 720158	HOSE/LIFT CYL. ROD	HOSE/LIFT CYL. BASE	HOSE/LIFT CYL. ROD	HOSE/PUMP RETURN	HOSE/SUCTION	SEAL KIT/SQUEEZE CYL.	SEAL KIT/LIFT CYL.	O-RING/QUICK COUPLER	BUSHING/SPLIT RING
7.	520026	90° ADAPTER	18. 220107	HOSE/LIFT CYL. ROD	HOSE/LIFT CYL. BASE	HOSE/LIFT CYL. ROD	HOSE/PUMP RETURN	HOSE/SUCTION	SEAL KIT/SQUEEZE CYL.	SEAL KIT/LIFT CYL.	O-RING/QUICK COUPLER	BUSHING/SPLIT RING
8.	120087	45° ADAPTER	19. 720217	HOSE/LIFT CYL. ROD	HOSE/LIFT CYL. BASE	HOSE/LIFT CYL. ROD	HOSE/PUMP RETURN	HOSE/SUCTION	SEAL KIT/SQUEEZE CYL.	SEAL KIT/LIFT CYL.	O-RING/QUICK COUPLER	BUSHING/SPLIT RING
9.	220033	90° SWIVEL ADAPTER	20. α	HOSE/LIFT CYL. ROD	HOSE/LIFT CYL. BASE	HOSE/LIFT CYL. ROD	HOSE/PUMP RETURN	HOSE/SUCTION	SEAL KIT/SQUEEZE CYL.	SEAL KIT/LIFT CYL.	O-RING/QUICK COUPLER	BUSHING/SPLIT RING
10.	420039	90° SWIVEL ADAPTER	21. CONNECTOR	HOSE/LIFT CYL. ROD	HOSE/LIFT CYL. BASE	HOSE/LIFT CYL. ROD	HOSE/PUMP RETURN	HOSE/SUCTION	SEAL KIT/SQUEEZE CYL.	SEAL KIT/LIFT CYL.	O-RING/QUICK COUPLER	BUSHING/SPLIT RING
11.	220005	90° ADAPTER	22. 90° ADAPTER	HOSE/LIFT CYL. ROD	HOSE/LIFT CYL. BASE	HOSE/LIFT CYL. ROD	HOSE/PUMP RETURN	HOSE/SUCTION	SEAL KIT/SQUEEZE CYL.	SEAL KIT/LIFT CYL.	O-RING/QUICK COUPLER	BUSHING/SPLIT RING
			23. QUICK COUPLER/MALE	HOSE/LIFT CYL. ROD	HOSE/LIFT CYL. BASE	HOSE/LIFT CYL. ROD	HOSE/PUMP RETURN	HOSE/SUCTION	SEAL KIT/SQUEEZE CYL.	SEAL KIT/LIFT CYL.	O-RING/QUICK COUPLER	BUSHING/SPLIT RING
			24. QUICK COUPLER/FEMALE	HOSE/LIFT CYL. ROD	HOSE/LIFT CYL. BASE	HOSE/LIFT CYL. ROD	HOSE/PUMP RETURN	HOSE/SUCTION	SEAL KIT/SQUEEZE CYL.	SEAL KIT/LIFT CYL.	O-RING/QUICK COUPLER	BUSHING/SPLIT RING
			25. PIPE NIPPLE 1/4" X 10	HOSE/LIFT CYL. ROD	HOSE/LIFT CYL. BASE	HOSE/LIFT CYL. ROD	HOSE/PUMP RETURN	HOSE/SUCTION	SEAL KIT/SQUEEZE CYL.	SEAL KIT/LIFT CYL.	O-RING/QUICK COUPLER	BUSHING/SPLIT RING
			26. PIPE ELL 1/4" 12,17 GAL	HOSE/LIFT CYL. ROD	HOSE/LIFT CYL. BASE	HOSE/LIFT CYL. ROD	HOSE/PUMP RETURN	HOSE/SUCTION	SEAL KIT/SQUEEZE CYL.	SEAL KIT/LIFT CYL.	O-RING/QUICK COUPLER	BUSHING/SPLIT RING
			27. PIPE ELL 1/4" -1" 7,9 GAL	HOSE/LIFT CYL. ROD	HOSE/LIFT CYL. BASE	HOSE/LIFT CYL. ROD	HOSE/PUMP RETURN	HOSE/SUCTION	SEAL KIT/SQUEEZE CYL.	SEAL KIT/LIFT CYL.	O-RING/QUICK COUPLER	BUSHING/SPLIT RING
			28. HOSE BARB 1/4" 12,17 GAL	HOSE/LIFT CYL. ROD	HOSE/LIFT CYL. BASE	HOSE/LIFT CYL. ROD	HOSE/PUMP RETURN	HOSE/SUCTION	SEAL KIT/SQUEEZE CYL.	SEAL KIT/LIFT CYL.	O-RING/QUICK COUPLER	BUSHING/SPLIT RING
			29. HOSE BARB 1" 7,9 GAL	HOSE/LIFT CYL. ROD	HOSE/LIFT CYL. BASE	HOSE/LIFT CYL. ROD	HOSE/PUMP RETURN	HOSE/SUCTION	SEAL KIT/SQUEEZE CYL.	SEAL KIT/LIFT CYL.	O-RING/QUICK COUPLER	BUSHING/SPLIT RING
			α HOSE/RESERVOIR RETURN	HOSE/LIFT CYL. ROD	HOSE/LIFT CYL. BASE	HOSE/LIFT CYL. ROD	HOSE/PUMP RETURN	HOSE/SUCTION	SEAL KIT/SQUEEZE CYL.	SEAL KIT/LIFT CYL.	O-RING/QUICK COUPLER	BUSHING/SPLIT RING
			α HOSE/SQUEEZE CYL. BASE	HOSE/LIFT CYL. ROD	HOSE/LIFT CYL. BASE	HOSE/LIFT CYL. ROD	HOSE/PUMP RETURN	HOSE/SUCTION	SEAL KIT/SQUEEZE CYL.	SEAL KIT/LIFT CYL.	O-RING/QUICK COUPLER	BUSHING/SPLIT RING

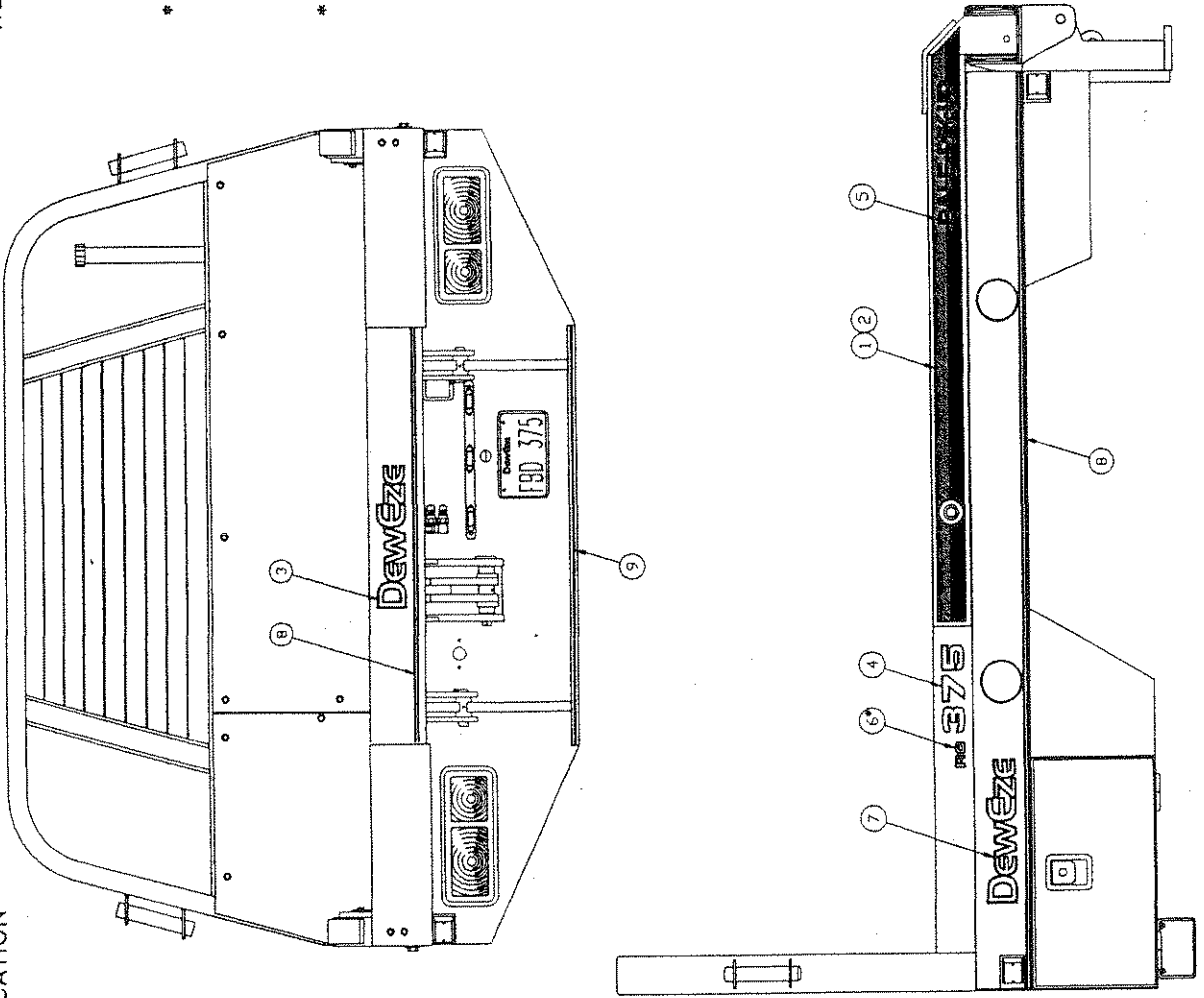
α PART NO's FOR HOSES DEPEND ON FLATBED MODEL NO. AND WHETHER TRUCK HAS A STANDARD OR EXTENDED CAB. 200114

β PART NO's FOR PUMP AND FITTINGS DEPEND ON PUMP SIZE.

DECAL LOCATION

ITEM	PART NO.	DESCRIPTION
1	200103	STRIPE/L HUG ARM
2	200104	STRIPE/R HUG ARM
3	200105	DEWEZE/SILVER OUTLINE
4	200106	378502 (MODEL NO.)
5	200107	BALE PIK-UP/SILVER
* 6	200108	RC
7	200006	DEWEZE/RED ON SILVER
8	200127	RED/SILVER PINSTRIPE 315"
9	200128	SILVER PINSTRIPE 48"

* USED WITH REMOTE CONTROL ONLY



DEWEZE MANUFACTURING, INC.

STATEMENT OF WARRANTY

DewEze Mfg., Inc. warrants to each purchaser of new DewEze Bale Pick-up Flatbeds from an authorized dealer or representative that such equipment to be free from manufacturing defects which appear while in normal service for a period of TWO YEARS commencing with delivery to the original user (effective on Flatbeds sold after January 1, 1997).

The obligation of DewEze under this warranty is expressly limited, at our option, to replacement or repair at a service facility designated by DewEze or at the manufacturing plant in Harper, Kansas, of such part or parts as inspection shall disclose to have been defective. This warranty does not apply to defects caused by damage or unreasonable use (including failure to provide reasonable and necessary maintenance) while in the possession of the consumer.

DewEze shall not be liable for consequential damages of any kind, including but not limited to, consequential labor costs or transportation charges in connection with replacement or repair of defective parts.

DewEze makes no warranty with respect to trade accessories. They are subject to the warranties of their respective manufacturers.

ANY IMPLIED OR STATUTORY WARRANTIES, INCLUDING ANY WARRANTY OF MERCHANTABILITY OR FITNESS FOR A PARTICULAR PURPOSE, ARE EXPRESSLY LIMITED TO THE DURATION OF THIS WRITTEN WARRANTY. DewEze makes no other express warranty, nor is anyone authorized to make any on behalf of DewEze.

For information procedures please contact your nearest dealer.

1
2
3
4
5
6
7
8
9
10
11
12
13
14
15
16
17
18
19
20
21
22
23
24
25
26
27
28
29
30
31
32
33
34
35
36
37
38
39
40
41
42
43
44
45
46
47
48
49
50
51
52
53
54
55
56
57
58
59
60
61
62
63
64
65
66
67
68
69
70
71
72
73
74
75
76
77
78
79
80
81
82
83
84
85
86
87
88
89
90
91
92
93
94
95
96
97
98
99
100