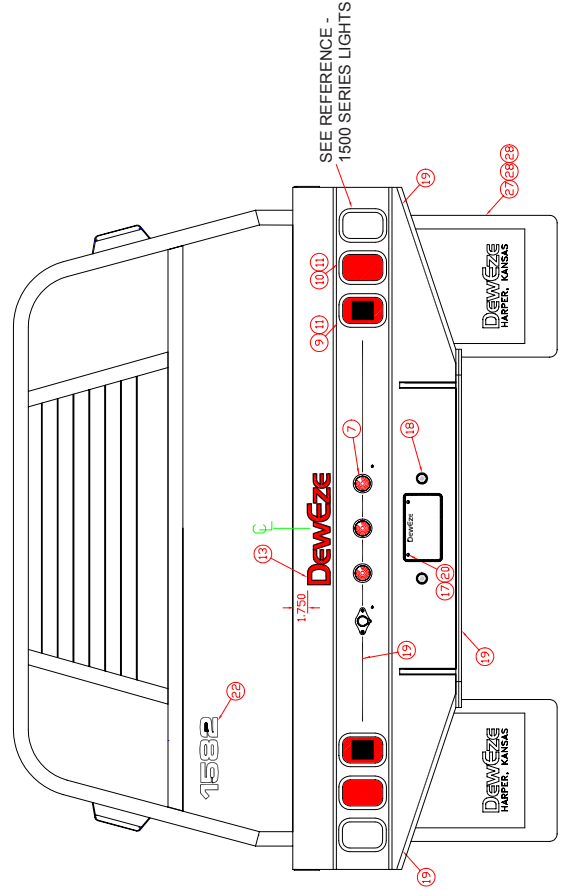
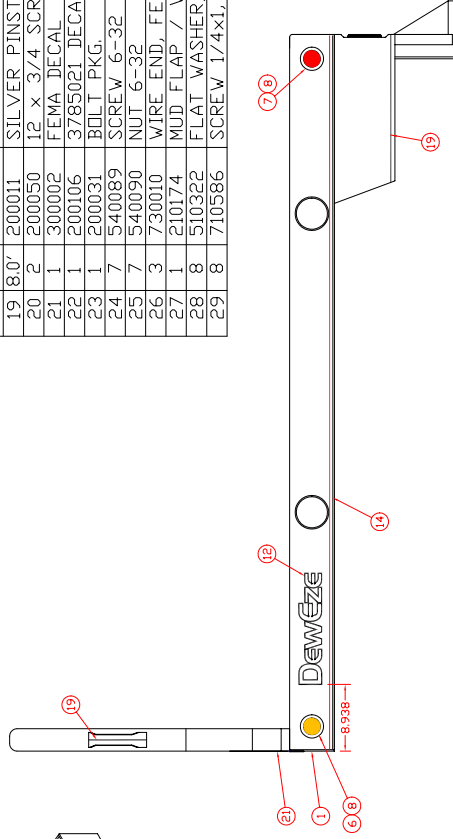
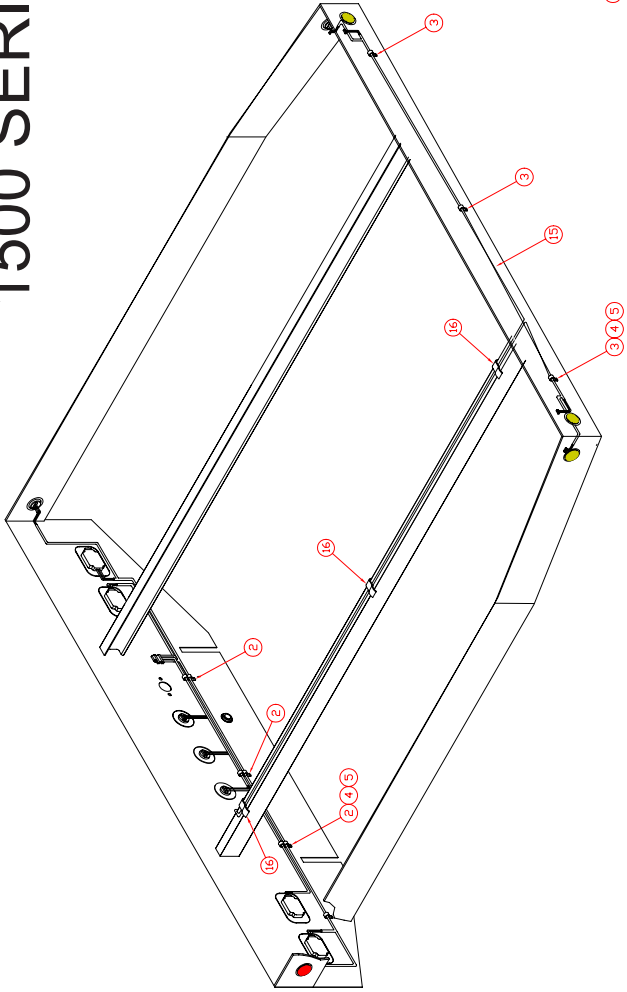


# 1500 SERIES FLATBED

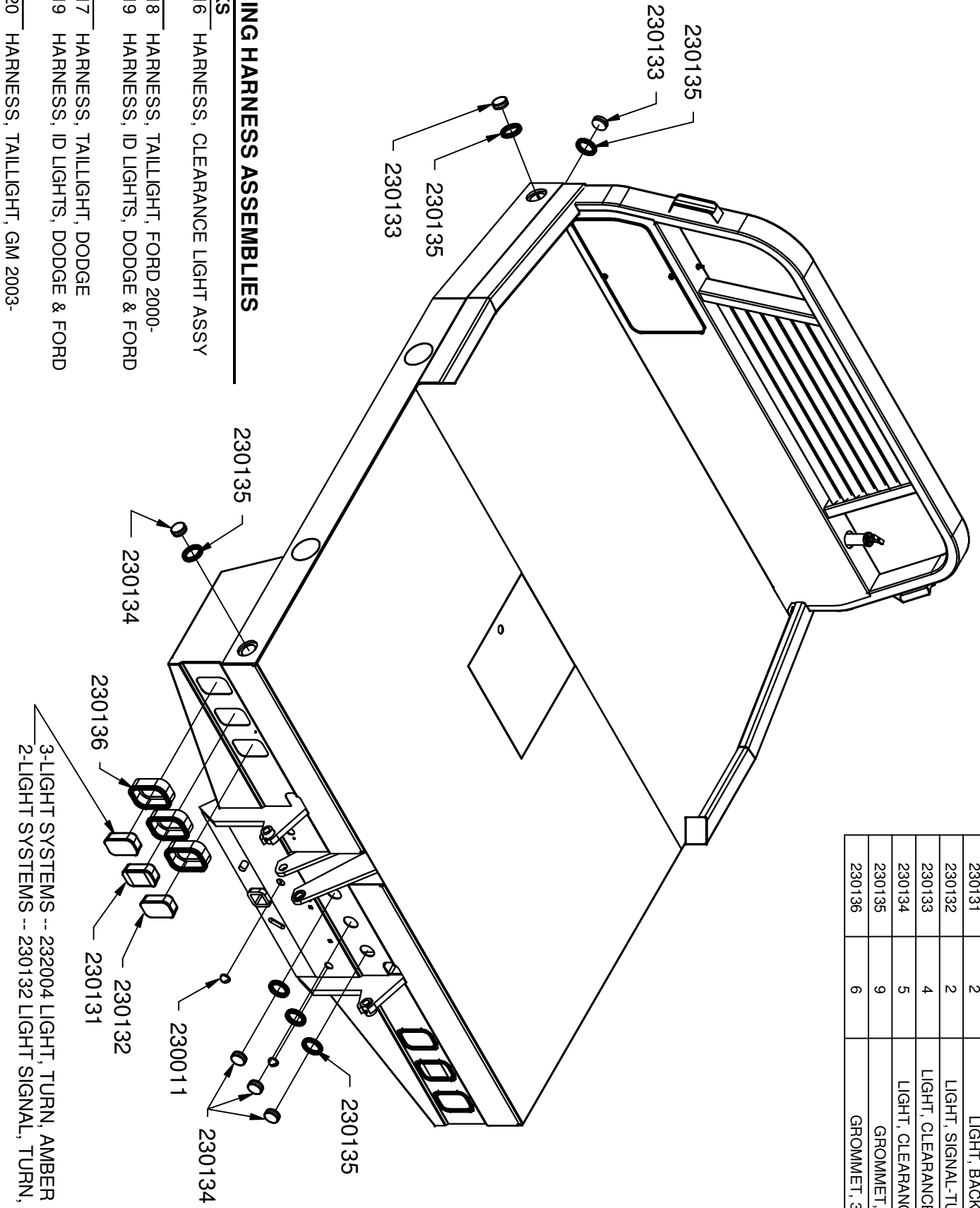
| ITEM | QUAN  | PART #   | NAME                    |
|------|-------|----------|-------------------------|
| 1    | 1     |          | SERIAL NUMBER PLATE     |
| 2    | 4     | 200019   | ADEL CLAMP AC-10        |
| 3    | 5     | 130011   | ADEL CLAMP AC-6         |
| 4    | 4     | 510094   | 10-24 x 1.1 SCREW       |
| 5    | 4     | 210336   | 10-24 NUT               |
| 6    | 4     | 230133   | AMBER CLEARANCE LIGHT   |
| 7    | 5     | 230134   | RED CLEARANCE LIGHT     |
| 8    | 9     | 230135   | GROMMET 2"              |
| 9    | 2     | 230131   | LIGHT, BACK-UP          |
| 10   | 2     | 230132   | LIGHT, TURN, STOP, TAIL |
| 11   | 4     | 230136   | GROMMET 3" x 5"         |
| 12   | 2     | 200105   | DEWEZE/SILVER OUTLINE   |
| 13   | 1     | 200006   | DEWEZE/RED ON SILVER    |
| 14   | 26.5' | 200012   | RED/SILVER PINSTRIPE    |
| 15   | 1     | See Ref. | WIRING HARNESS          |
| 16   | 3     | 200066   | WIRE CLIP               |
| 17   | 2     | 200051   | NYLON LICENSE INSERTS   |
| 18   | 2     | 230011   | LICENSE LIGHT           |
| 19   | 8.0'  | 200011   | SILVER PINSTRIPE        |
| 20   | 2     | 200050   | 12 x 3/4 SCREW          |
| 21   | 1     | 300002   | FEMA DECAL              |
| 22   | 1     | 200106   | 3785021 DECAL           |
| 23   | 1     | 200031   | BOLT PKG.               |
| 24   | 7     | 540089   | SCREW 6-32              |
| 25   | 7     | 540090   | NUT 6-32                |
| 26   | 3     | 730010   | WIRE END, FERB10        |
| 27   | 1     | 210174   | MUD FLAP / WIDE         |
| 28   | 8     | 510322   | FLAT WASHER, 1/4        |
| 29   | 8     | 710586   | SCREW 1/4x1, SELF TAP   |



# 1500 SERIES LIGHTS

Parts List

| PART # | QUANTITY | DESCRIPTION              |
|--------|----------|--------------------------|
| 230011 | 2        | LIGHT, LICENSE PLATE     |
| 230131 | 2        | LIGHT, BACK-UP           |
| 230132 | 2        | LIGHT, SIGNAL-TURN-TAIL  |
| 230133 | 4        | LIGHT, CLEARANCE (AMBER) |
| 230134 | 5        | LIGHT, CLEARANCE (RED)   |
| 230135 | 9        | GROMMET, 2"              |
| 230136 | 6        | GROMMET, 3 X 5           |



## WIRING HARNESS ASSEMBLIES

### ALL TRUCKS

232016 HARNNESS, CLEARANCE LIGHT ASSY

### FORD

2ea 232018 HARNNESS, TAILLIGHT, FORD 2000-

1ea 232019 HARNNESS, ID LIGHTS, DODGE & FORD

### DODGE

2ea 232017 HARNNESS, TAILLIGHT, DODGE

1ea 232019 HARNNESS, ID LIGHTS, DODGE & FORD

### GM

1ea 232020 HARNNESS, TAILLIGHT, GM 2003-

3-LIGHT SYSTEMS -- 232004 LIGHT, TURN, AMBER (2ea)  
 2-LIGHT SYSTEMS -- 230132 LIGHT SIGNAL, TURN, TAIL (2ea)