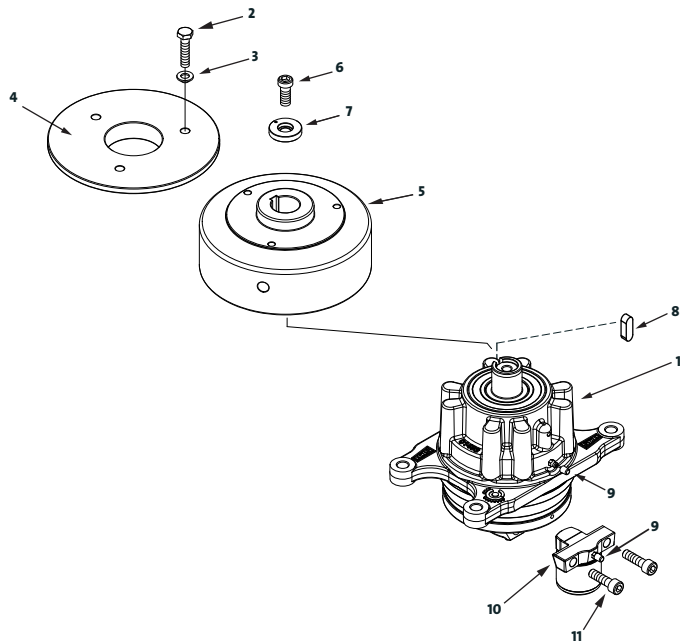


8. Parts List:

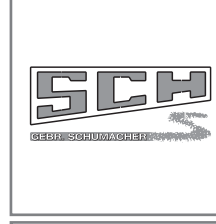
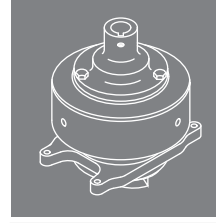
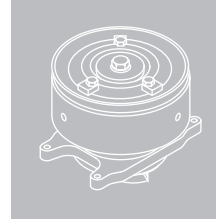
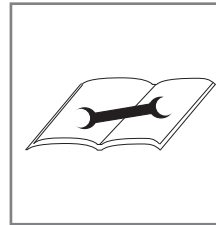
It is essential to use **only ORIGINAL spare-parts** ! Otherwise we can't make any guarantees !

Fig.-#	Part-No.:	Qty	Description	Torque
1	15742	1	Pro-Drive 85MH G Basic knifedrive, crank shaft half	
2	13391	3	Hexagon head bolt M10 x 45 - 10.9 (DIN 931)	72 Nm (53 ftlb)
3	01075	3	Spring-Ring A 10,5 (DIN 125)	
4	02777.01	1	Belt pulley half, top part	
5	02496.01	1	Belt pulley bottom part	
6	10230	1	Hexagon-bolt M12x30 - 10.9 (DIN 6912)	115 Nm (85 ftlb)
7	12601	1	Washer for belt pulley	
8	10226	1	Parallel key A 10 x 8 x 28	
9	10088.01	2	Grease nipple M6	
10	02603.07	1	Knifehead connector 17mm cpl.	
11	10099	2	Hexagon-bolt M10 x 35 - 12.9 (ISO 4762)	81 Nm (60 ftlb)

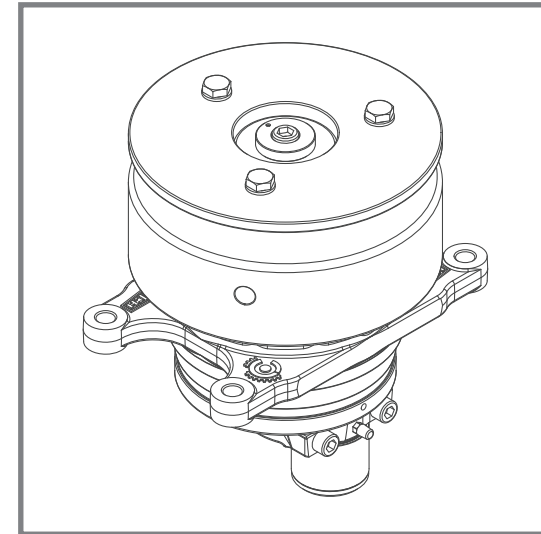


Gebr. Schumacher GmbH . Am Sportplatz . D - 57612 Eichelhardt (Germany)
 Customer Service . Phone: +49 (0) 26 81 - 80 09 - 0 . Fax: +49 (0) 26 81 - 80 09 - 90
www.gebruederschumacher.de . info@gebr-schumacher.de

Service- und Gewährleistung | E-85MH GK RSM 03 | Stand: Vor_o8-2012 | © 2012 | Änderungen vorbehalten



Service- and Warranty-Manual Pro-Drive High Performance Knifedrives



Pro-Drive 85MH GK RSM03 with knifehead connector
 (85mm Stroke . 17mm Crank shaft half M16 . 17mm kh-connector)

IMPORTANT INFORMATION:

This manual covers our warranty and its conditions and limitations. It is therefore recommended to read and follow the instructions covering the knifedrive. In particular follow the registration and lubrication instructions. For further instructions please contact our international customer service.

