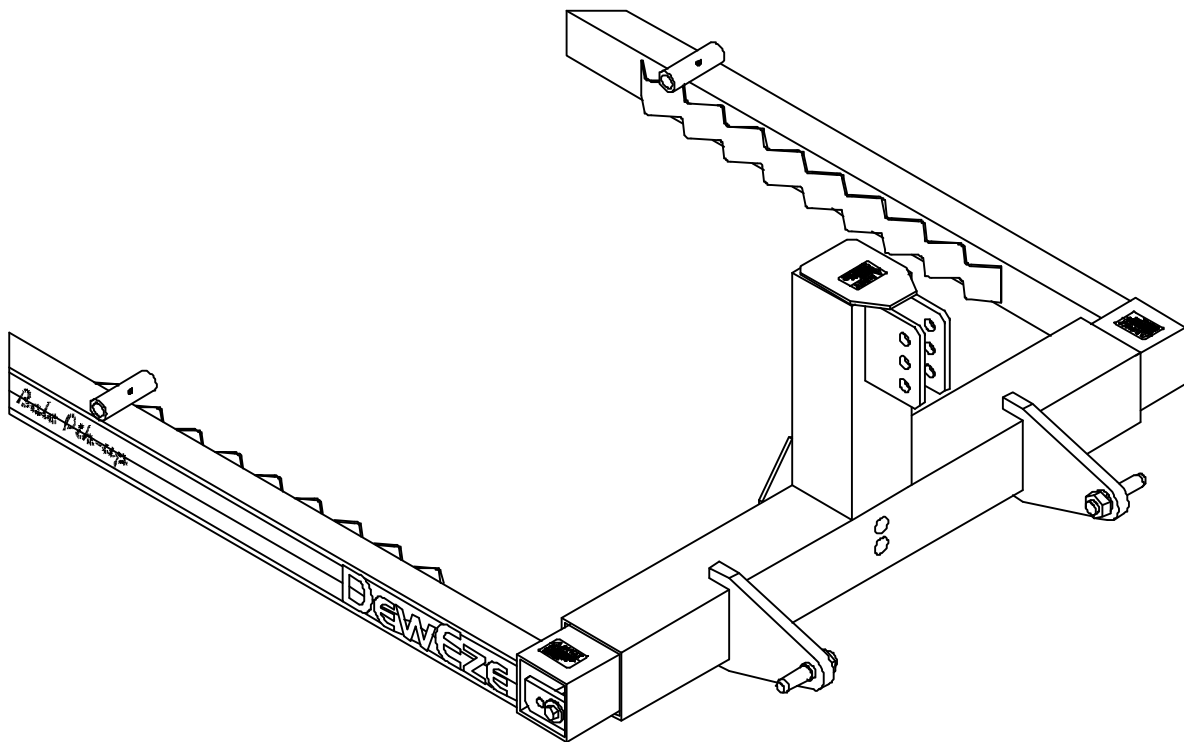
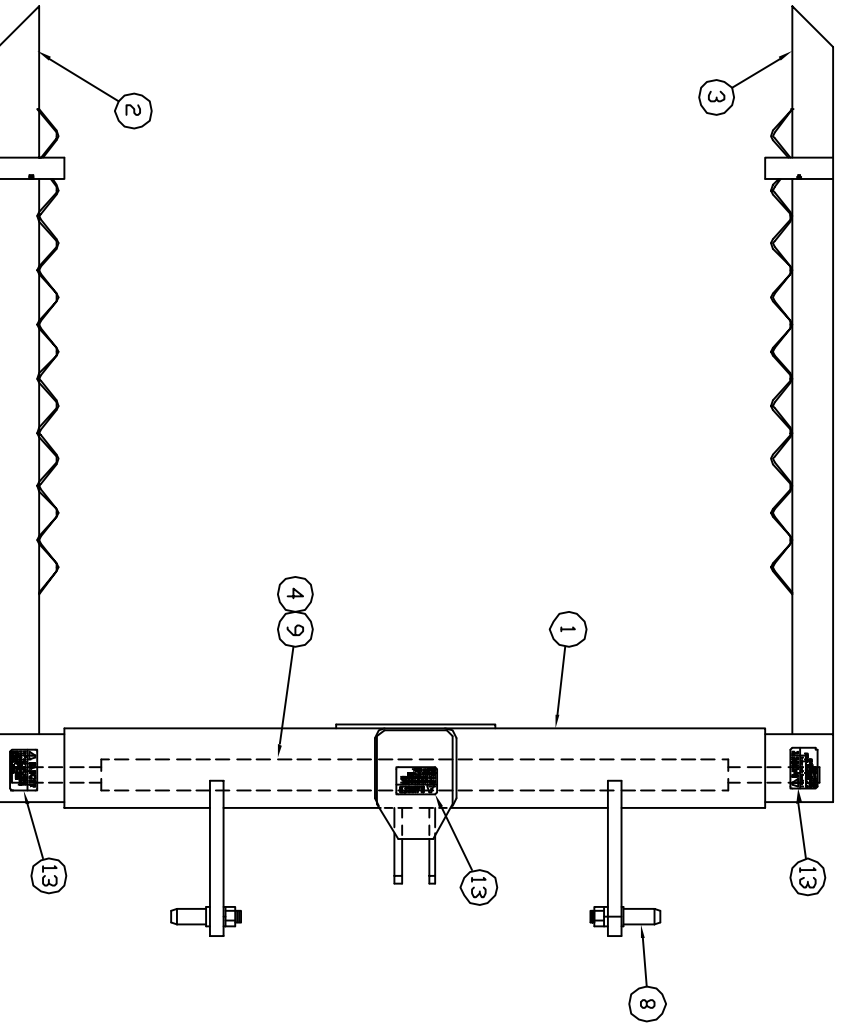


# 165-1 BALE HUGGER PARTS LIST



**DewEze** MANUFACTURING





165-1 ASSEMBLY

ITEM	QUAN	PART #	NAME
1	1	210474	165-1 WELD ASSY
2	1	210188	HUGGER ARM/LEFT
3	1	210227	HUGGER ARM/RIGHT
4	1	220002	CYLINDER
5	1	220003	ADAPTER
6	1	220111	HOSE ASSY
7	1	220112	HOSE ASSY
8	2	310413	PIN/LIFT ARM
9	2	220056	SEAL KIT/CYLINDER
10	2	510174	ZERK
11	2	200137	BALE PIK-UP DECAL
12	2	400009	DEWEZE DECAL
13	3	200010	DANGER DECAL
14	8.5'	100478	STRIFE
15	2	210128	5/8NF X 1 1/2 BOLT
16	2	310344	5/8 FLAT WASHER

